

# User manual

SCA | SCA Plus cup warmer + cup & cool



## Safety notes



Observe the safety instructions and the chapter liability in the user manual Schaerer Coffee Art / Schaerer Coffee Art Plus!



- ▶ Do not touch hot device components! The stainless steel shelves become hot! The cup warmer has to cool down before cleaning!
- ▶ Built-in safety devices must never be altered!
- ▶ This device is not designed for persons (including children) with limited physical, sensory or mental capabilities or who lack the required experience and/or knowledge, unless they are supervised by a person responsible for their safety or have received instructions from them about how the device should be used!



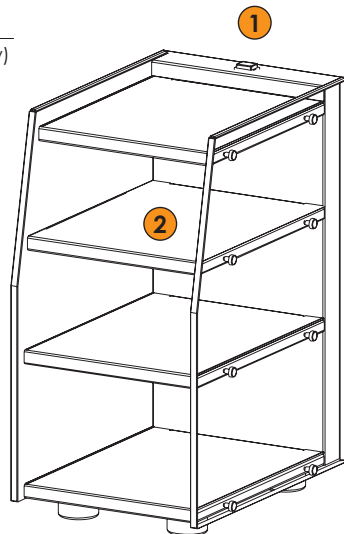
- ▶ The device must be set on a flat, level and secure surface!
- ▶ Do not expose the device to frost! This machine is not for outdoor use! Do not spray the machine with water. The maximum relative humidity should not exceed 80%; do not allow dewing.



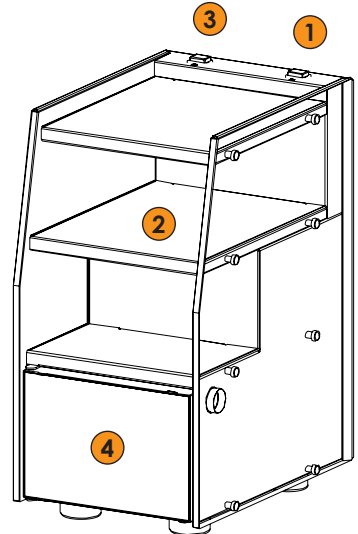
- ▶ For insurance reasons always ensure that, at the end of operation, the mains power switch is switched off or the machine is unplugged!
- ▶ Do not use a water hose, steam jets, steam cleaners or the like to clean the device!
- ▶ Maintenance work and repairs must only be performed by M. Schaerer Ltd. service personnel using original spare parts!
- ▶ We recommend damage prevention measures: – e.g. in-installing smoke detectors.

## Overview cup warmer + cup & cool

- 1 ON- / OFF switch cup warmer
- 2 Heated cup plates
- 3 ON- / OFF switch refrigerator (cup & cool only)
- 4 Refrigerator (cup & cool only)

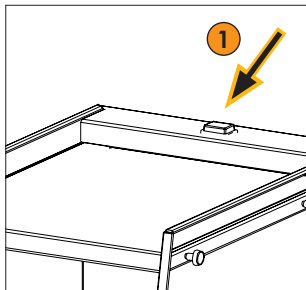


cup warmer



cup & cool

## Operation ► cup warmer



### Switch on the cup warmer

- ▶ Plug in the mains plug.
- ▶ Switch on the cup warmer using the ON/OFF switch [1].

*The switch lights up in green. The cup warmer is heated up after ± 60 minutes.*

### Filling the cup warmer

- ▶ Carefully place the desired cups, coffee mugs and coffee pots with their openings downward in the cup warmer [2].

### Switch off the cup warmer

- ▶ Switch off the cup warmer using the ON/OFF switch [1].
- ▶ Remove the plug from the power supply.

*The switch will no longer be lit up.*

**If this is not observed, the warranty is invalidated in the event of any resultant damage.**

## Operation ► cup & cool



**If the cooler was not transported in a standing position then it must be given at least 8 hours to stand quietly before switching on!**

### Switch on the refrigerator

- ▶ Switch on the cup warmer using the ON/OFF switch [1].
- ▶ Switch on the refrigerator using the ON/OFF switch [3].

*The switch lights up in green. The cup warmer is heated up after ± 60 minutes.*

### Filling the cup & cool

- ▶ see "filling the cup warmer" above.

### Fill the milk container

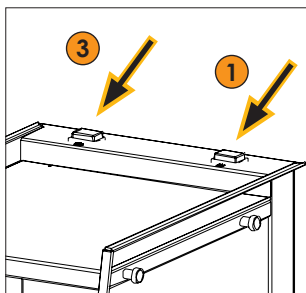
- ▶ Open the front door.
- ▶ Pull out the milk container.
- ▶ Push the cover of the milk container back.
- ▶ Pour precooled milk (3 – 5°C) into the milk container.
- ▶ Place the cover back on the container.
- ▶ Push the milk container back in carefully.
- ▶ Insert the adapter on the milk hose into the connection on the milk cover.
- ▶ Close the front door.

### Switch off the refrigerator

- ▶ Switch off the cup warmer using the ON/OFF switch [1].
- ▶ Switch off the refrigerator using the ON/OFF switch [3].
- ▶ Remove the plug from the power supply.

*The switches will no longer be lit up.*

**If this is not observed, the warranty is invalidated in the event of any resultant damage.**



## Cleaning ► cup warmer



**Do not use any abrasives!**



**Caution: The stainless steel shelves become hot!**

### Cleaning the cup warmer

- ▶ Switch off the cup warmer using the ON/OFF switch [1].
- ▶ Clean the cold device using a damp cloth. After wipe dry using a fine woolen cloth or chamois leather.

## Cleaning ► cup & cool



**Do not use any abrasives!**



**Caution: The stainless steel shelves become hot!**

### Cup & Cool reinigen:

- ▶ Switch off the cup warmer using the ON/OFF switch [1].
- ▶ Switch on the refrigerator using the ON/OFF switch [3].
- ▶ Clean the cold device using a damp cloth. After wipe dry using a fine woolen cloth or chamois leather.

### Cleaning the milk container

#### The milk container and milk hose must be cleaned every day!

- ▶ Switch off the cup warmer using the ON/OFF switch [1].
- ▶ Switch on the refrigerator using the ON/OFF switch [3].
- ▶ Open the refrigerator door.
- ▶ Unplug the milk hose with the milk nozzle and adapter from the milk container cover.
- ▶ Pull out the milk container and empty completely.
- ▶ Clean the milk container in the dishwasher.
- ▶ Dry the milk container after cleaning.
- ▶ Clean the milk hose with adapter as described in coffee machine user manual.
- ▶ Replace the milk container and insert the milk hose.

#### Do not kink the milk hose!

### Cleaning the refrigerator

- ▶ Stir 5 ml of the Daypure (order no. 071300) from the measuring bottle into a bucket containing 500 ml of warm water.
- ▶ Use the cleaner solution to wipe out the inside of the refrigerator.
- ▶ Wipe again using clean water.
- ▶ Rub dry using a soft cloth.
- ▶ Replace the milk container.

### Defrosting the refrigerator

#### Never remove the ice layer with sharp or pointed objects. The surface of the cooling compartment can be damaged.

- ▶ Switch off the refrigerator using the ON/OFF switch [3].
- ▶ Leave the front door open.
- ▶ Wipe away the water from melting ice with a soft cloth.
- ▶ Close the front door before switching on again.

## Technical data

We reserve the right to make technical modifications!

\* For special models see model label, values given above are for the basic model.

	Cup warmer		Cup & Cool	
Power rating**	120 W		130 W	
Mains connection	1/N/PE   50–60 Hz   230 V		1/N/PE   50 Hz   230 V	
On-site power connection	3 x 1,5 <sup>2</sup> (earthed socket outlet)			
On-site fuses	1 x 16A			
Number of shelves	4		3	
Cup capacity per shelf	Espresso	Coffee	Espresso	Coffee
	14 – 16	9 – 18	14 – 16	9 – 18
Shelf temperature**	max. 80°C		max. 80°C	
Milk capacity	–		4 liters	
External dimensions:				
Width:	272 mm		272 mm	
Height:	524 mm		524 mm	
Depth:	385 mm		385 mm	
Empty weight	± 18.5 kg.		± 27 kg.	

## Troubleshooting

Error	Remedy
Refrigerator is iced up	<ul style="list-style-type: none"> <li>▶ Check: Is the door always closed?</li> <li>▶ Check: Is the seal OK?</li> <li>▶ Check: Is the cooling set too low?</li> </ul>
The mains switch is not lit up	<ul style="list-style-type: none"> <li>▶ Check: Switch on device?</li> <li>▶ Check: Is the mains plug plugged in?</li> <li>▶ Check: Is the local fuse defective?</li> </ul>
The refrigerator does not cool	<p>See "The mains switch is not lit up"!</p> <ul style="list-style-type: none"> <li>▶ Check: Not waited for the required cooling time?</li> <li>▶ Check: Is the door seal defective?</li> <li>▶ Check: Has warm milk been poured in?</li> </ul>
Cup(s) not getting warm	See "The mains switch is not lit up"!
The cups are at a different temperature	▶ The various containers require different heating times.

M. Schaerer Ltd.  
Gewerbstrasse 15  
3302 Moosseedorf  
Switzerland

✉ [info@schaerer.com](mailto:info@schaerer.com) | 🌐 [www.schaerer.com](http://www.schaerer.com)

BATW SCA - EN

Article number : 021661